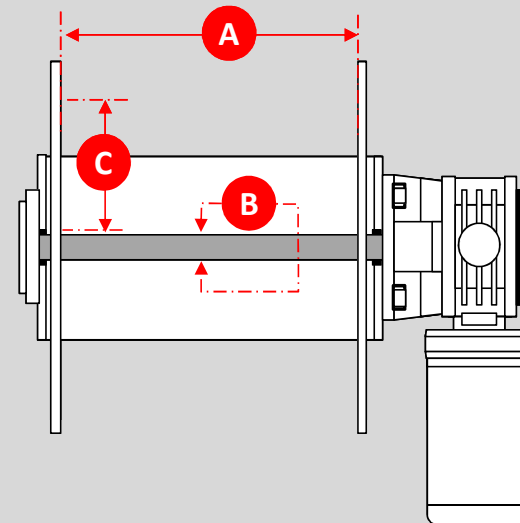


EXTREME MARINE ANCHOR WINCHES

Rope Capacity Calculator

Model	Dimensions (mm)			Rope Size (mm)	Rope Length (ft)	Rope Length (m)
	A	B	C			
Small	200	30	70	8	225	69
Medium	200	30	85	8	315	96
Large	200	30	115	10	344	105
Xtra Large	250	30	135	10	574	175



Rope Selection Guide

Size	Typical Breaking Strain (kg)				X-Winch Rope Capacity			
	Nylon	Double Braid	Spectra	Dyneema	Small	Medium	Large	Xtra Large
6mm	750	1195	1570	4200	120	170	290	
8mm	1350	1650	3310	6600	65	95	160	270
10mm	2080	2890	4950			60	105	175
12mm	3000	4570					75	120

Notes: Actual rope diameter is subject to type, manufacture and tension. The information presented in this document is therefore intended to be used as a guide only.